

Linear Power Supplies 5 - 75 Amps Open and Enclosed

The Daykin DC power supply line is too extensive to include all of the various sizes and power configurations within a single catalog. Daykin cordially invites you to build a power supply for your particular requirements at www.daykin.com. This powerful interactive website permits you to create a power supply to your individual application. Drawing from a wide selection of standardized modular components, this approach provides economical tailored solutions with the highest reliability and ready availability.

Features

- Copper wound low temperature rise transformer
- Electrostatically shielded
- High quality bridge rectifier
- Full load output ripple less than 1% RMS
- Enclosed Power Supplies - non-ventilated enclosure with gasketed cover
- Contact the factory for CE certified power supplies
- Disconnect module available

Power Supply			Dimensions are in inches and (mm)							Approx. Weight lb (kg)
Output	Input	Model	Figure	Dim. A	Dim. B	Dim. C	Dim. D	Dim. E	Dim. F	
5 Amp 24VDC	460-480 V / 1 PH 60 Hz / 0.20 kVA	PS486245-2 Open Style	1	6.65 (169)	3.33 (86)	7.00 (178)	11.55 (294)	4.13 (105)	NA	17 (8)
5 Amp 24VDC	460-480 V / 1 PH 60 Hz / 0.20 kVA	PS486245-2E Enclosed	3	12.75 (324)	8.43 (215)	11.50 (293)	13.50 (343)	10.00 (254)	14.06 (358)	43 (19)
10 Amp 24VDC	460-480 V / 3 PH 60 Hz / 0.30 kVA	PSD4862410-3 Open Style	2	12.75 (324)	8.50 (217)	9.75 (248)	13.50 (343)	10.00 (254)	NA	17 (8)
10 Amp 24VDC	460-480 V / 3 PH 60 Hz / 0.30 kVA	PSD4862410-2E Enclosed	3	12.75 (324)	8.43 (215)	11.63 (296)	13.50 (343)	10.00 (254)	14.06 (358)	45 (20)
25 Amp 24VDC	460-480 V / 3 PH 60 Hz / 0.80 kVA	PSD4862425-2 Open Style	2	12.75 (324)	8.50 (217)	9.75 (248)	13.50 (343)	10.00 (254)	NA	36 (16)
25 Amp 24VDC	460-480 V / 3 PH 60 Hz / 0.80 kVA	PSD4862425-5E Enclosed	3	12.75 (324)	8.43 (215)	11.63 (296)	13.50 (343)	10.00 (254)	14.06 (358)	58 (26)
50 Amp 24VDC	460-480 V / 3 PH 60 Hz / 1.6 kVA	PSD4862450-4E Enclosed	3	16.50 (420)	10.50 (267)	14.13 (360)	17.50 (445)	12.00 (305)	17.94 (456)	119 (54)
75 Amp 24VDC	460-480 V / 3 PH 60 Hz / 2.4kVA	PSD4862475-4E Enclosed	3	16.50 (420)	12.50 (318)	14.13 (360)	17.50 (445)	14.00 (356)	17.81 (453)	142 (64)

Figure 1
Single Phase

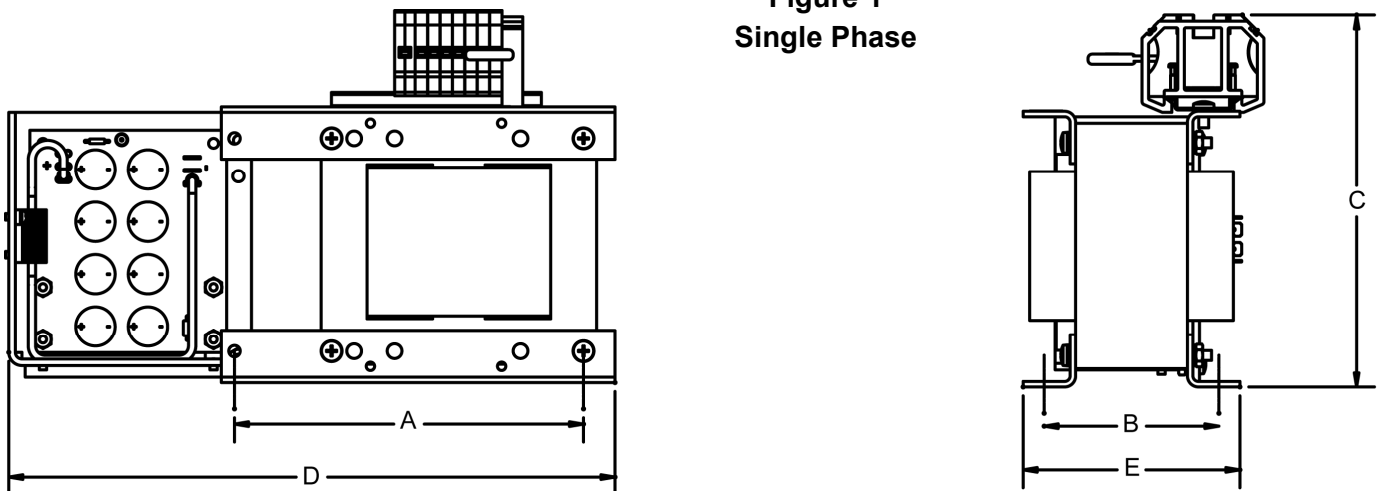


Figure 2
3 Phase

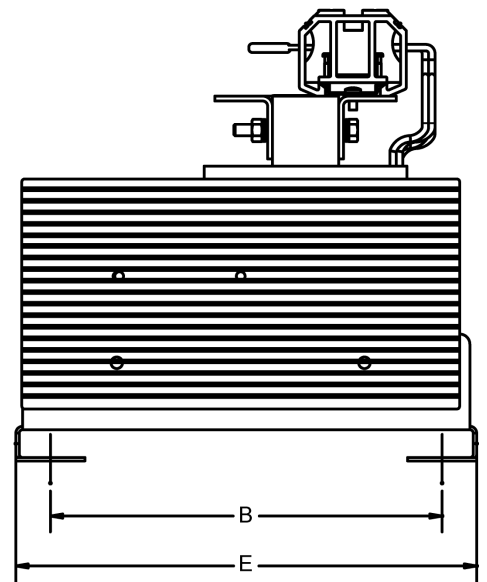
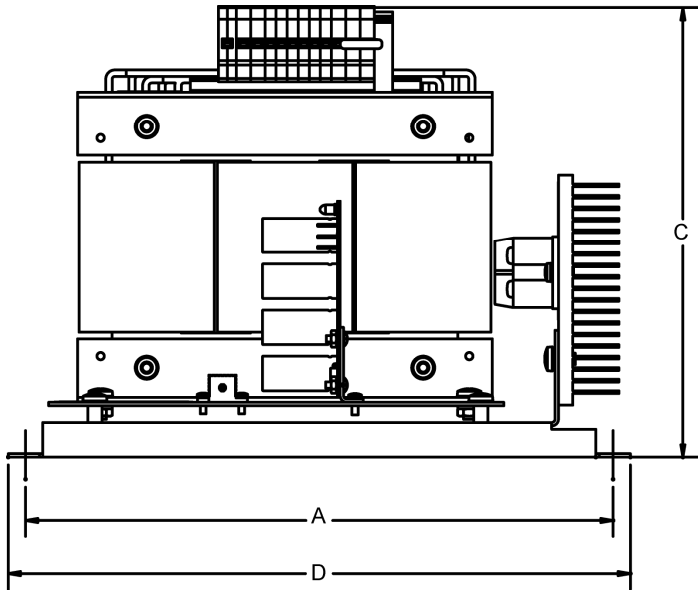
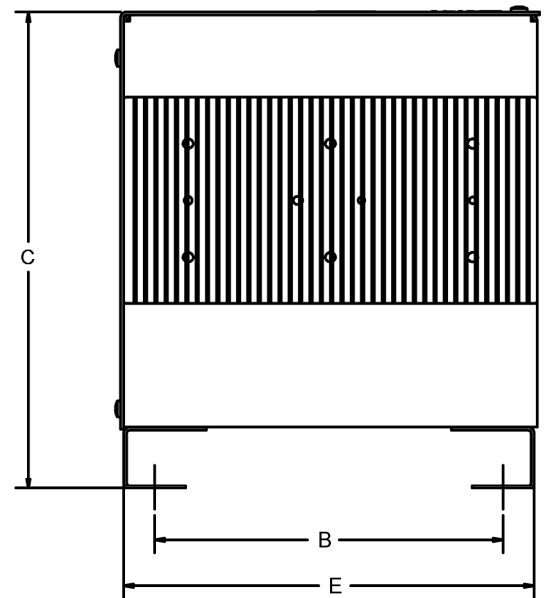
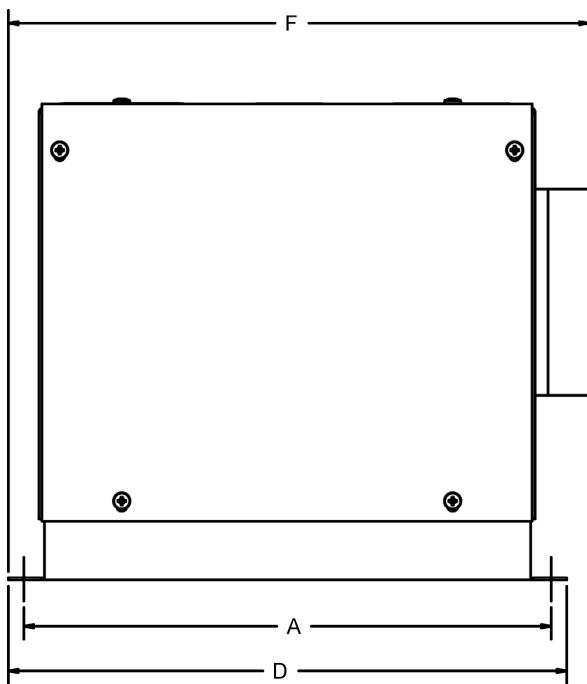
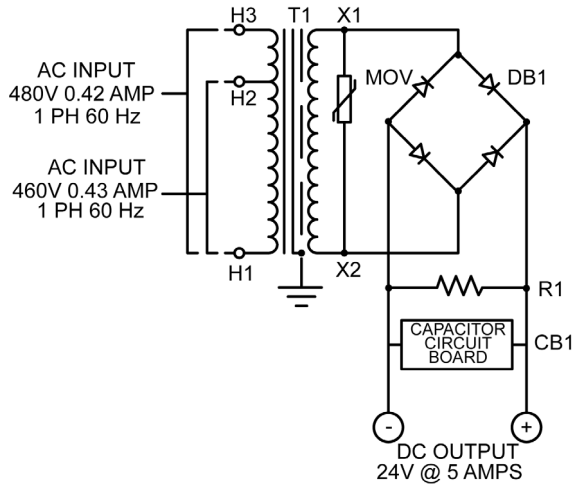


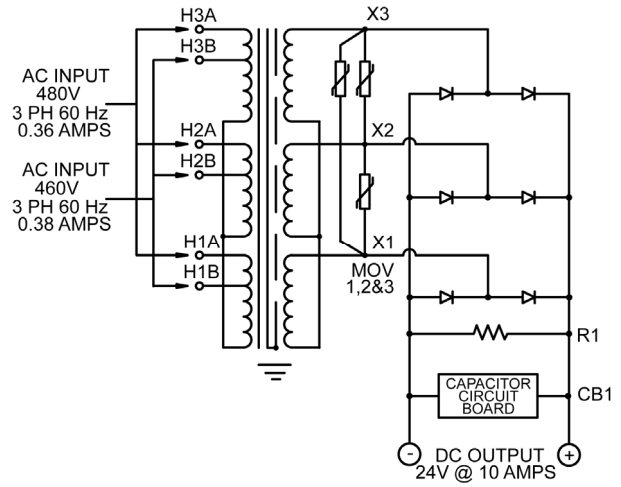
Figure 3
3 Phase



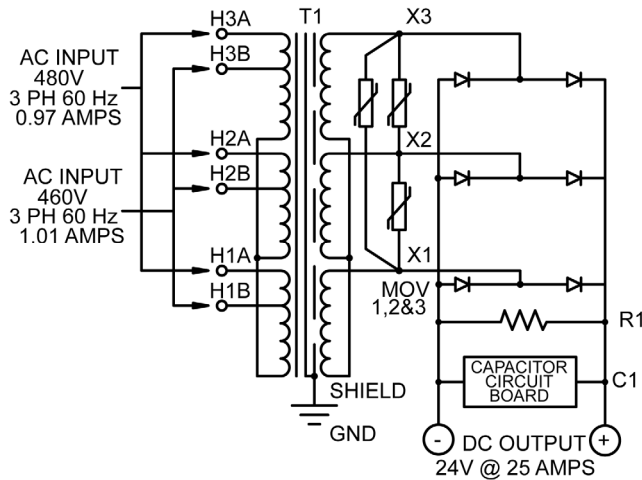
PS486245-2 and PS486245-2E



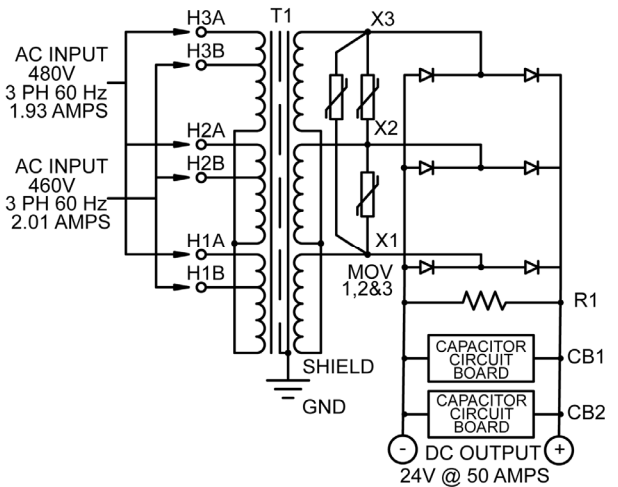
PS4862410-3 and PS4862410-2E



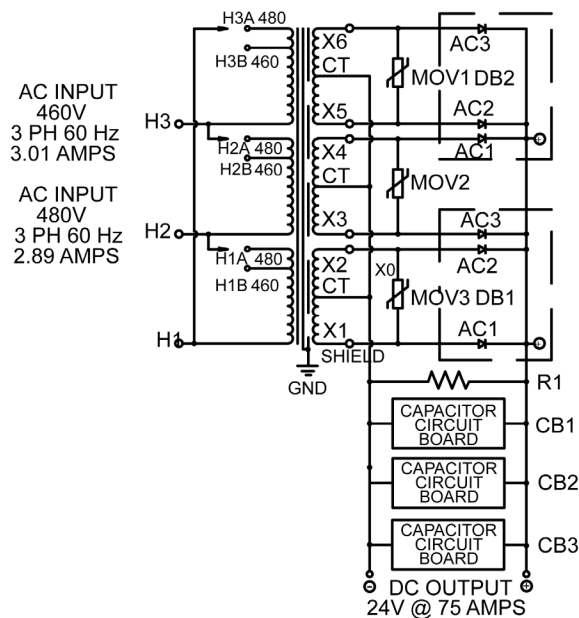
PS4862425-2 and PS486245-5E



PS4862450-4E



PS4862475-4E



General Information on AC/DC Power Units

The Daykin AC/DC power line is too extensive to include all of the various sizes and power configurations within a single catalog. Daykin cordially invites you to build a power supply for your particular requirements at www.daykin.com. This powerful interactive website permits you to create a power supply to your individual application. Drawing from a wide selection of standardized modular components, this approach provides economical tailored solutions with the highest reliability and ready availability.

Daykin AC/DC power supplies offer solutions throughout the following ranges:


Power:	0.5 kVA to 50 kVA
Input Voltage:	120-600 VAC, 50/60 Hz
Output Voltage:	24 VDC & 120-600 VAC

Additional product selections available, including choices of disconnect switches, fuses or other protection devices.

Features

- Non-ventilated enclosure
- 100% copper wound shielded transformer
- Easy access terminals
- DC full load output less than 2% RMS

Options

-  certified AC/DC Power units
- Non-standard voltages/frequency available

For more information contact the factory.

DD Series

The Daykin DD Series AC/DC power units provide up to three separate isolated outputs in one compact enclosure. This series combines the attributes of a drive isolation transformer, a control transformer and a DC power supply. The standard unit is furnished with a three phase, 480 VAC, 60 Hz input. The three separate isolated outputs are three phase 220 VAC, single phase 120 VAC and 24 VDC. The three phase output is available from 3 kVA through 15 kVA; the single phase output is 0.60 kVA or 1 kVA, and the 24 VDC output is 25 Amps or 50 Amps.

TD Series

The Daykin TD Series AC/DC power units provide two separate isolated outputs in one compact enclosure. This series combines a control transformer with a DC power supply. The standard unit is furnished with a single phase, 480 VAC, 60 Hz input. The two separate isolated outputs are single phase 120 VAC at 1.2 kVA or 2 kVA, and 24 VDC at 15 amps.