


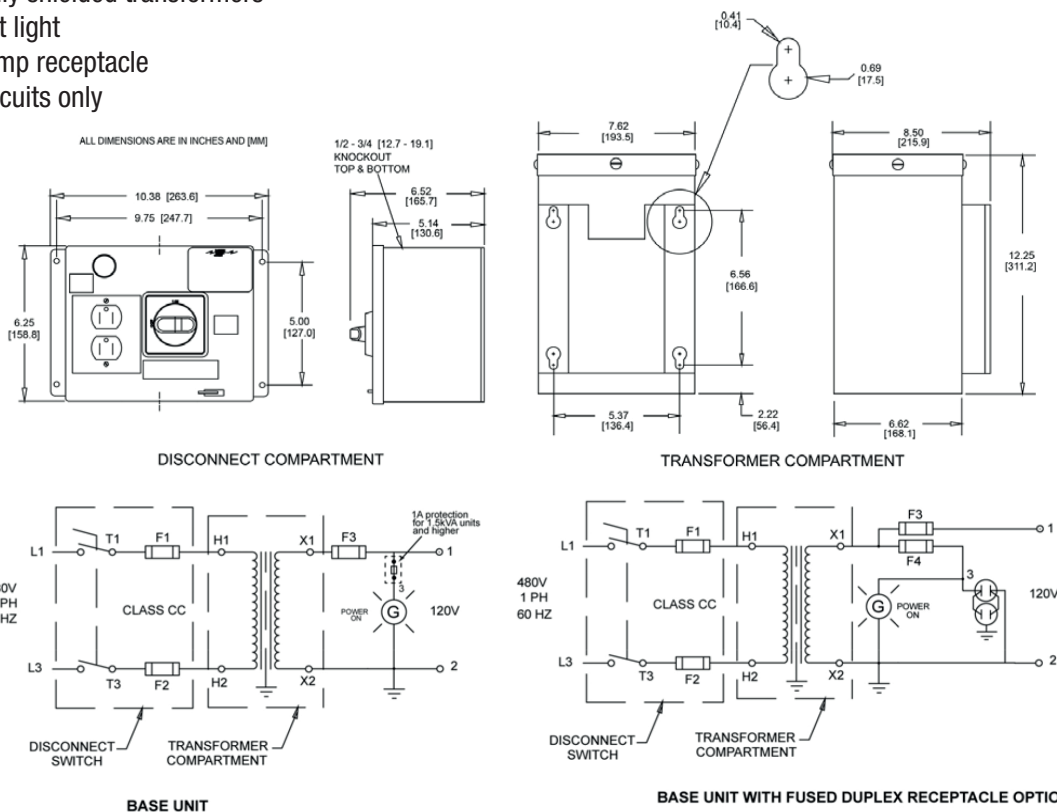
TRANSFORMER DISCONNECT - NEMA 1 / IP22 GM2F1F SERIES

MODULAR TRANSFORMER DISCONNECT (1 KVA - 3 KVA)

The Daykin GM2F1F Series is modular in construction. This transformer disconnect is a two component system. The transformer compartment is epoxy encapsulated, enclosed and designed to mount on the outside of the control panel. The disconnect compartment accommodates the switch and all overcurrent protection. This NEMA 1 / IP22 compartment is designed to mount inside the control panel. All termination points are well identified for easy interconnection. This system is well suited for applications where backplate space is at a premium. It also avoids additional heat load loss within the control panel.

Features

- 200 kA RMS short circuit rating
- Lockable switch in the off position with primary integral CLASS CC fuses
- Secondary fuseholders only - suitable for 13/32" x 1 1/2" fuses
- Electrostatically shielded transformers
- Power-on pilot light
- Optional 15 Amp receptacle
- For control circuits only
-  Listed



Transformer kVA Rating	Model	Fuse Rating/Amps		Approx. Weight lb (kg)
		Primary F1 & F2	Max. Secondary F3 & F4	
1.0	GM2F1F-1	6	12	39 (18)
1.5	GM2F1F-1.5	12	20	59 (27)
2.0	GM2F1F-2	12	25	78 (35)
3.0	GM2F1F-3	15	30	91 (41)

Note: Secondary fuses are not provided

GrandPowerSystems.com • Ph: (844) 383-8644 • sales@daykin.com



by

